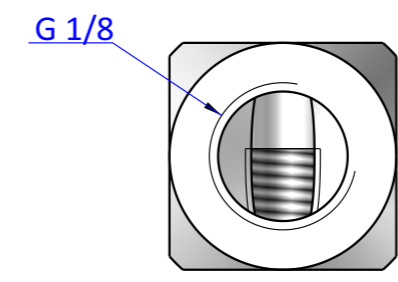
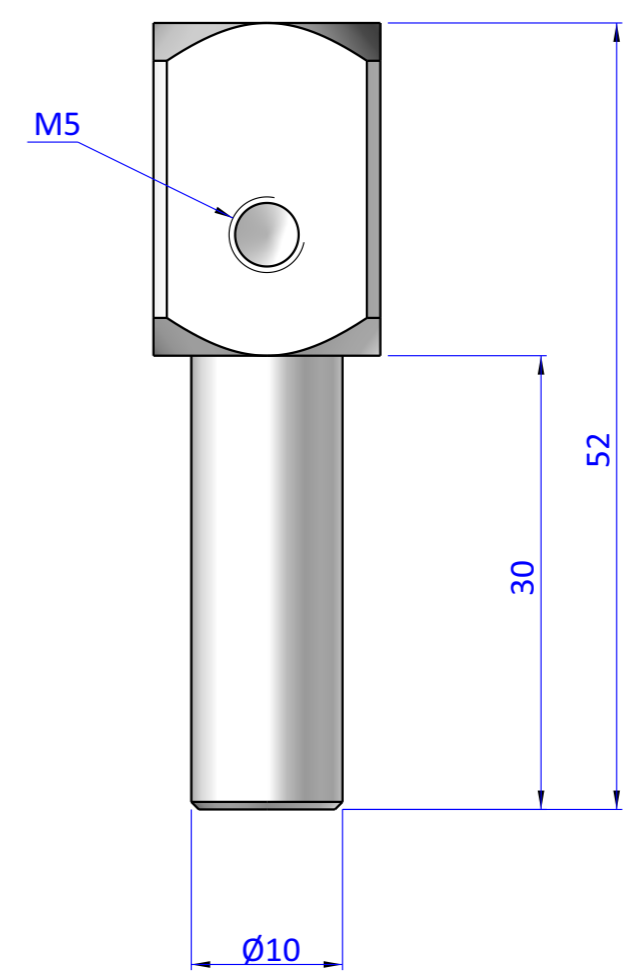
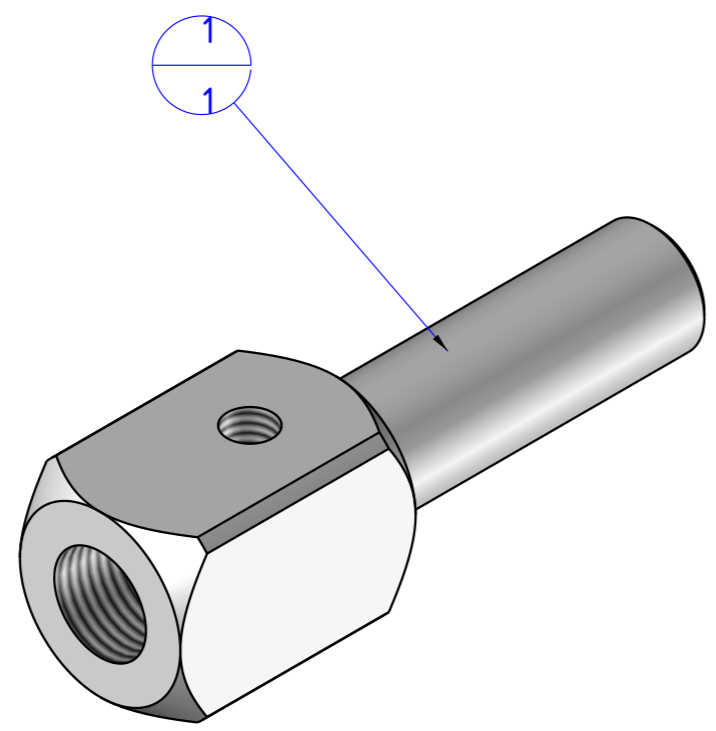



THE PROPERTY OF THE DRAWING IS ESTABLISHED BY LAW. IT IS FORBIDDEN TO PRODUCE OR SHOW IT TO THIRD PART. WITHOUT A WRITTEN AGREEMENT.

| Item | Name | Qty. |
|------|-----------------|------|
| 1 | GSE.10.18.M5.30 | 1 |



Format A3
UNI 936-76

| | | | | |
|--|--------------------------------|---------------------------------|-------------------|-------------|
|  FPS SERVICES AUTOMATION | | DESIGNED FROM FPS Automation | | REVIEW A |
| | | DATE 17/09/2020 | WEIGHT 0,015kg | |
| GENERAL TOLERANCE UNI - ISO 2768 CLASSE f | DESCRIPTION CA.GSE.1018M530 | CODE CA.GSE.1018M530 | | |